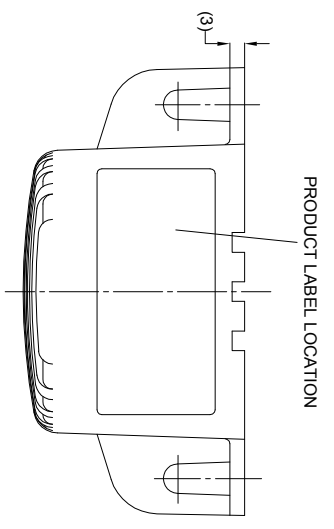
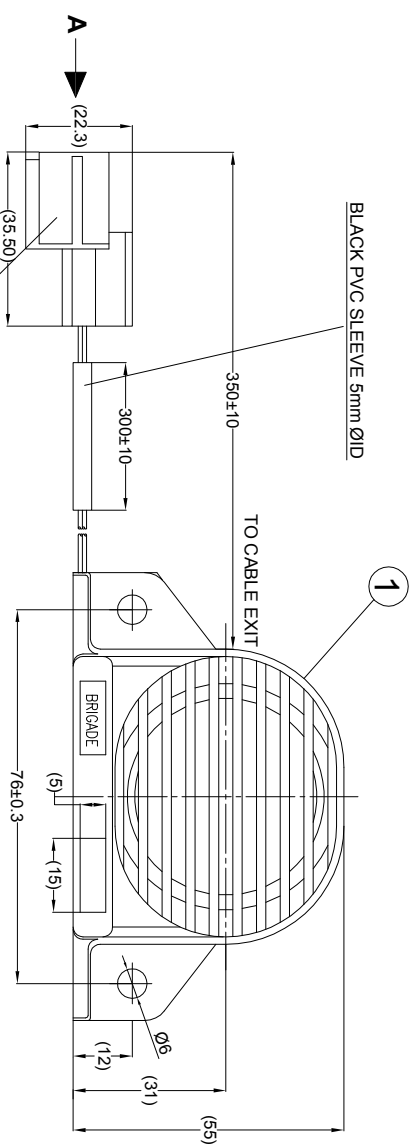


PIN #	WIRE COLOUR	DESCRIPTION
1	RED	12.24VDC
2	BLACK	GROUND

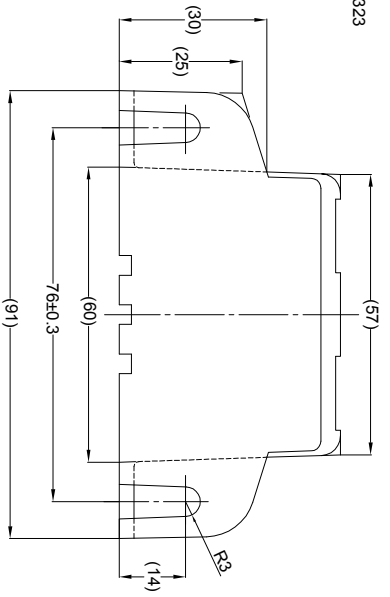
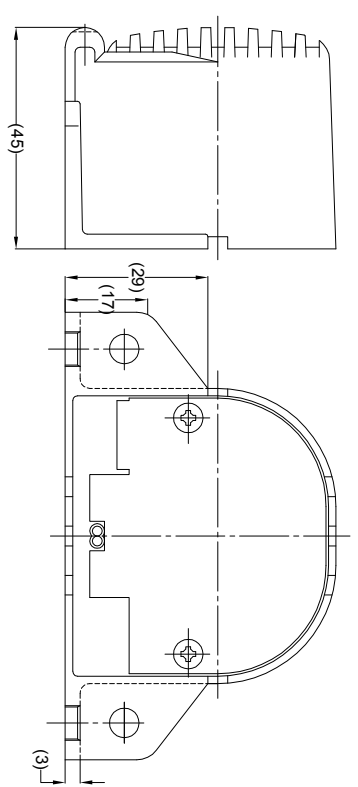


ITEM	PART NO	QTY	DESCRIPTION
1	TBD	1	BBS-87(SC) ALARM ONLY
2	TBD	1	FITTING INSTRUCTIONS (NOT SHOWN)
3	TBD	1	WARNING LABEL (NOT SHOWN)



BLACK PVC SLEEVE 5mm ØID

SUMITOMO CONNECTOR  
 HOUSING - P/N 6181-0070  
 P/N - P/N 1500-0105  
 RETAINER - P/N 6918-0323  
 SEAL - P/N 7165-0118



CHANGES FROM BASE PRODUCT BSS-87 (#0897) TO BBS-87(SC) (#1015):  
 CHANGE: 1. 360mm OF 5mm ØID BLACK PVC SLEEVE ADDED TO CABLE.  
 2. SUMITOMO CONNECTOR ADDED.  
 3. REMOVE FITTING GUIDE LABEL (LOCATED ON THE END OF POWER WIRES).  
 4. GIFTBOX LABEL DEFINED AND PRODUCED BY OPERATIONS AND MATERIALS.

OPERATION: SAME AS BASE PRODUCT.

SPECIFICATION:  
 1) RATED VOLTAGE: 12~24 VOLTS DIRECT CURRENT (WORKING VOLTAGE RANGE 10~32 VOLTS)  
 2) RATED CURRENT: 0.5 AMPERES OR LESS.  
 3) SOUND PRESSURE: 87±4 DECIBELS AT TEST VOLTAGES OF 14/28 VOLTS (AS MEASURED AT A DISTANCE OF 1.2 METERS AND AT A HEIGHT OF 1.2 METERS ABOVE THE GROUND)  
 4) INTERMITTENCE: 70±10 CYCLES PER MINUTE AT TEST VOLTAGES OF 14/28 VOLTS  
 5) TONE: WHITE SOUND.

NOTES:  
 1. REFER TO BASE PRODUCT FOR PRODUCT SPECIFICATION.  
 2. FOR PRODUCT LABEL REFER TO LATEST REVISION OF DRAWING: BE-001212-XX-10.

PROPRIETARY NOTICE  
 THIS DESIGN AND TECHNICAL INFORMATION APPEARING ON THIS DRAWING IS THE PROPERTY OF BRIGADE ELECTRONICS, AND IS DISCLOSED IN CONFIDENCE. IT IS NOT TO BE COPIED, REPRODUCED, REVEALED TO OR EXPLOITED BY OTHERS, EITHER IN WHOLE OR IN PART WITHOUT THE EXPRESS WRITTEN CONSENT OF BRIGADE ELECTRONICS.



Assembly Pl Approval NAREN - 01/05/13		Approved by G.P.L.T.H.		Checked by B.CHILDS		Drawn by R.BATES	
Angle of Projection 		Units mm		Scale N/A		Released 02/05/13	
Status RELEASED		Part No #1015		BBS-87(SC)		BE-002403-00-13	

